

VIAY/VIASY

Rotary shaft seal same as type VIA in the Y model, pressurisable. It has a shorter, more stable, spring-energised sealing lip. In addition, this design is available with a protective lip (VIASY) on the air side.

Standard materials

FPM 80
Colour: brown
Energised spring: non-alloy spring steel according to DIN EN 10270-1
Metal insert: non-alloy steel according to DIN EN 10139

Areas of application

Sealing of rotating machine elements such as shafts, hubs and axles when pressurized. The main application lies within the area of pressurized units e.g. pumps and hydro-electric engines.

Function

The VIAY/VIASY is a single acting shaft seal for rotating or pivoting shafts with optional protective lip sealing action (VIASY) on the side facing away from the medium against dirt accumulation from the outside. Pressure application of up to 10 bar (depending on the rotational speed) is possible due to the shorter, thicker, spring-energised sealing lip. The elastomer outer sheath provides good static sealing, good thermal expansion balance e.g. in light-metal housings, better sealing with greater roughness and secure sealing for split housings as well as good static sealing with thin fluid or gaseous media. FPM is superior to the NBR materials for high temperature applications, high peripheral speeds and chemically aggressive media.

Media

Mineral oils and greases, synthetic oils and greases, engine, gear and ATF oils, fuel, aromatic and chlorinated hydrocarbons, broad chemicals and solvents resistance. Please also refer to our media resistance tables on page 22 of this catalogue.

Operational application limits

Pressure (MPa/bar): ≤ 10 bar depending on the rotational speed
Temperature (°C): -30 to +170
Peripheral speed (m/s): ≤ 35
Please also refer to our pressure / rotational speed diagram on pages 19/20 of this catalogue.

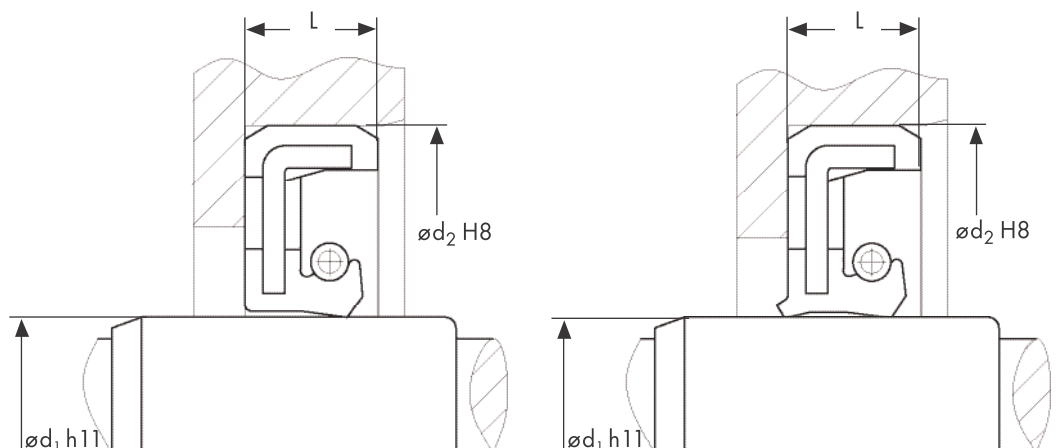
Installation

Suitable tools should be used for installation. It is recommended that the installation housing is designed to provide the rotary shaft seal with axial support. Please also refer to our general installation instructions on page 30 of this catalogue.

Remarks

The nominal widths mentioned on the following pages represent the standard dimensions.

Other dimensions and different designs, e.g. springs or metal inserts made of other steel grades can be produced as well as some special designs. Minimum quantities may be obligatory for dimensions outside of the standard.



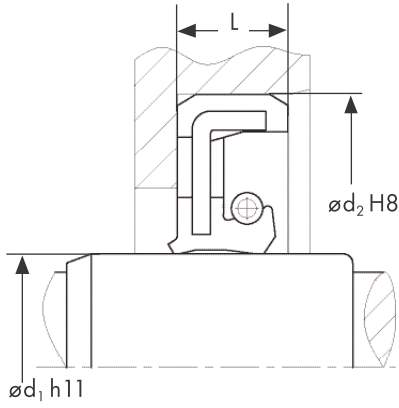
VIASY

**Sizes
metric**

Part No.	Dimensions in mm			Part No.	Dimensions in mm		
	ød ₁	ød ₂	L		ød ₁	ød ₂	L
132612	8	16	6	157243	27	42	7
133578	8	22	6	80969	27	44	7
132611	8	22	7	133400	28	40	6
157230	9	20	6	157244	28	40	7
126467	10	18	7	157216	28	40	8
132613	10	19	6	157245	30	40	7
127707	10	19	7	88172	30	42	6
48598	10	20	6	157246	30	47	7
133579	10	22	6	157247	30	50	7
157231	11	22	7	83556	30	52	7
131168	12	22	6	157248	32	44	7
133556	12	24	6	133559	32	47	6
157232	12	24	7	157249	32	47	7
157233	14	24	7	80970	32	48	7
157234	15	24	7	132614	32	52	7
150472	15	25	6	77326	32	55	9
157235	15	25	7	133560	35	47	6
149911	15	30	7	157250	35	47	7
133557	15	35	6	48621	35	52	6
129709	15	35	6.75	131165	35	55	11
134474	15	35	7	150826	35	62	7
152183	16	28	7	157251	38	50	6
150474	16	40	10	157252	38	62	7
48605	17	28	6	48628	40	52	5
157236	17	28	7	157253	40	52	7
133558	17	30	6	128171	40	55	6
157237	17	35	7	48630	40	55	7
134473	17	40	7	60114	40	55	8
150475	18	30	6	157254	40	56	6
157238	18	30	7	157255	40	60	10
48608	18	35	6	48634	40	62	6
152184	19	30	7	128169	40	72	7
150476	19	35	6	128172	42	62	7
56645	19	35	7	48639	42	62	8
117905	19.5	30	6	157256	45	55	7
157239	20	30	5	157257	45	58	7
157240	20	30	7	129768	45	62	6
135035	20	32	6	48641	45	62	7
132610	20	32	6.5	92854	45	65	7
80966	20	35	6	157258	45	65	8
153204	20	35	7	131167	45	68	12
157212	20	40	7	48648	47	62	7
117899	20	45	7	157259	47	65	10
90137	22	32	6	87185	50	65	7
157241	22	32	7	157260	50	65	8
128168	22	35	6	157217	50	68	7
121038	22	47	7	157261	50	68	8
80967	24	40	6	79894	50	72	7
157242	24	40	7	134472	50	80	8
48612	25	35	6	117903	52	72	7
157213	25	40	7	130046	52	72	12
157214	25	42	6	48654	55	70	8
127732	25	47	6	48655	55	72	7
157215	26	40	6	134888	55	72	8
144518	26	42	8	133594	55	75	7

VIASY

Sizes metric



Part No.	Dimensions in mm			Part No.	Dimensions in mm		
	ød ₁	ød ₂	L		ød ₁	ød ₂	L
152497	55	75	12	128174	90	110	10
143308	55	80	8	157268	90	110	12
92170	58	80	10	133599	90	115	10
133889	60	75	8	157269	90	125	12
34297	60	75	10	157220	95	120	12
80302	60	80	7	157270	95	120	13
79895	60	80	8	157271	97	125	12
131169	60	80	14	133600	100	120	7.5
128173	62	85	7	157272	100	120	12
157262	65	80	7	133601	105	130	7.5
48658	65	85	8	157273	105	140	12
133595	65	90	7	157274	110	130	12
157263	65	90	10	133602	120	140	7.5
157264	68	90	10	48668	120	140	13
115717	70	90	7	157221	120	150	10
134889	70	90	10	157275	120	150	12
157265	70	100	10	48669	120	150	15
157266	75	90	10	148463	130	160	7.5
133596	75	95	7	48676	130	160	12
144219	75	95	10	157222	140	170	15
157218	75	100	11	157223	140	180	12
115718	80	100	7	48696	160	190	8
134890	80	100	10	157224	160	200	10
133597	80	105	7.5	157225	170	200	14
153060	82	105	12	157226	172	190	8.5
157267	85	105	12	157227	180	210	8.5
157219	85	110	8	124928	200	230	13
48662	85	120	7.5	157228	240	270	8.5
133598	85	120	8	157229	260	280	10
48663	90	110	7.5	48721	400	450	25

VIASY

Sizes inch

Part No.	Dimensions in mm			Dimensions in inch		
	ød ₁	ød ₂	L	ød ₁	ød ₂	L
131166	17.46	28.58	6.35	0.687	1.125	0.25
134000	24.61	54.28	9.52	0.969	2.137	0.375